



CODES

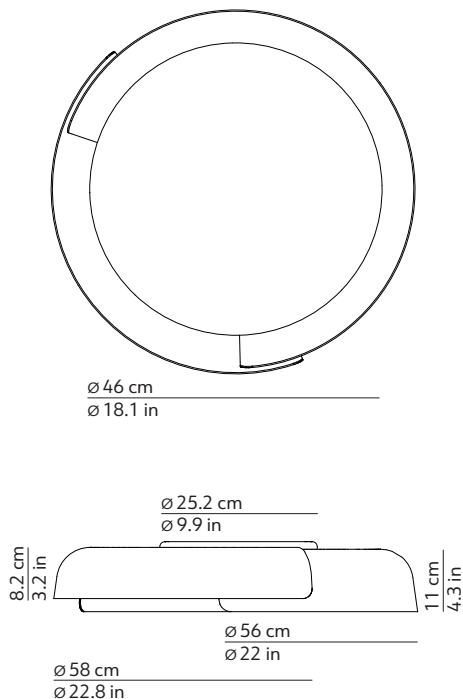
220-240 V

K503420GL	2700K - dark grey + wood finish
K503420SL	2700K - sand + wood finish
K503420GC	2700K - dark grey + concrete finish
K503420SC	2700K - sand + concrete finish
K503420BB	2700K - white
K503420GL30	3000K - dark grey + wood finish
K503420SL30	3000K - sand + wood finish
K503420GC30	3000K - dark grey + concrete finish
K503420SC30	3000K - sand + concrete finish
K503420BB30	3000K - white

120 V

K503420GLUS	2700K - dark grey + wood finish
K503420SLUS	2700K - sand + wood finish
K503420GCUS	2700K - dark grey + concrete finish
K503420SCUS	2700K - sand + concrete finish
K503420BBUS	2700K - white
K503420GL30US	3000K - dark grey + wood finish
K503420SL30US	3000K - sand + wood finish
K503420GC30US	3000K - dark grey + concrete finish
K503420SC30US	3000K - sand + concrete finish
K503420BB30US	3000K - white

TECHNICAL DRAWINGS



TECHNICAL DATA

Dala 2700K

Light source type	Board LED
Lamp power	1 x 42 W
Source luminous flux	4200lm
Colour temperature	2700 K
CRI	>90
Feeding	220-240 V / 120 V
Dimmable	Phase cut

Dala 3000K

Light source type	Board LED
Lamp power	1 x 42 W
Source luminous flux	4350lm
Colour temperature	3000 K
CRI	>90
Feeding	220-240 V / 120 V
Dimmable	Phase cut

PRODUCT INFORMATION

Installation Ceiling, Wall
 Net weight 6 kg / 13.20 lbs

Lower element

Colour Dark grey or Sand or White
 Finish Matte
 Material Coated metal

Upper element

Colour Wood finish or Concrete finish or White
 Finish Matte
 Material Metal coated or hydro dip (wood finish)

Diffuser

Colour White
 Finish Matte
 Material Rotational-moulded polyethylene

PACKAGING

Box 1 Structure + lower element
 Dimensions L x W x H 61 x 61 x 18 cm / 24 x 24 x 7.1 in
 Volume 0.067 m³ / 2.365 ft³
 Gross weight 7.7 kg / 16.94 lbs

Box 2 Upper element
 Dimensions L x W x H 61 x 27 x 9 cm / 24 x 10.6 x 3.5 in
 Volume 0.015 m³ / 0.523 ft³
 Gross weight 1 kg / 2.2 lbs