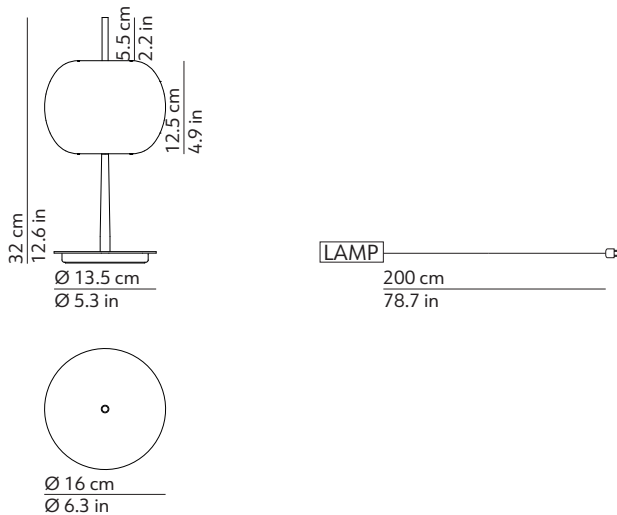




## TECHNICAL DRAWINGS



## CODES

|          |        |
|----------|--------|
| K216105N | black  |
| K216105O | brass  |
| K216105R | copper |

## TECHNICAL DATA

|                      |                     |
|----------------------|---------------------|
| Light source type    | Board LED           |
| Lamp power           | 1 x 7 W             |
| Source luminous flux | 840 lm              |
| Color temperature    | from 1800 to 3000 K |
| CRI                  | >90                 |
| Feeding              | 100-240 V           |
| Dimmer               | Yes                 |

## PRODUCT INFORMATION

|              |                    |
|--------------|--------------------|
| Installation | Table              |
| Net weight   | 1.80 kg / 3.96 lbs |

### Structure

|          |               |
|----------|---------------|
| Colour   | Black RAL9005 |
| Finish   | Matte         |
| Material | Coated metal  |

|          |                 |
|----------|-----------------|
| Colour   | Brass or copper |
| Finish   | Shiny           |
| Material | Plated metal    |

### Diffuser

|          |                                 |
|----------|---------------------------------|
| Colour   | White                           |
| Finish   | Matte                           |
| Material | Two layers of mouth blown glass |

### Cable

|          |       |
|----------|-------|
| Colour   | Black |
| Material | PVC   |

### Switch and dimmer

|               |                          |
|---------------|--------------------------|
| Colour        | Black or brass or copper |
| Material      | Metal                    |
| Position      | Integrated in the rod    |
| Dimmer type   | 3 steps 0-100%           |
| Tunable white | Linear                   |

## PACKAGING

|                      |  |
|----------------------|--|
| <b>Box 1</b>         | Diffuser                                     |
| Dimensions L x W x H | 23.5 x 23.5 x 19 cm / 9.3 x 9.3 x 7.5 in     |
| Volume               | 0.010 m <sup>3</sup> / 0.371 ft <sup>3</sup> |
| Gross weight         | 0.90 kg / 1.98 lbs                           |

|                      |  |
|----------------------|--|
| <b>Box 2</b>         | Structure                                    |
| Dimensions L x W x H | 18 x 16.5 x 32.5 cm / 7.1 x 6.5 x 12.8 in    |
| Volume               | 0.010 m <sup>3</sup> / 0.343 ft <sup>3</sup> |
| Gross weight         | 1.50 kg / 3.30 lbs                           |