



CODES

508432N27	2700K - Lamp
508432N30	3000K - Lamp
508-ALIEU	Driver kit (from 2 to 9 lamps max) for 220-240 V
508-ALIUS	Driver kit (from 2 to 9 lamps max) for 120 V compatible with Junction Box

TECHNICAL DATA

Sling 2700K

Light source type	Board LED
Lamp power	1 x 5 W
Source luminous flux	500 lm
Color temperature	2700 K
CRI	>90

Sling 3000K

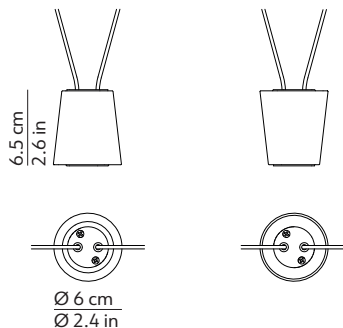
Light source type	Board LED
Lamp power	1 x 5 W
Source luminous flux	520 lm
Color temperature	3000 K
CRI	>90

Driver kit

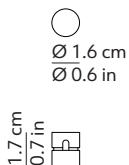
Power	50 W
Output	Constant current 900mA max 54 V
Feeding	220-240 V / 120 V
Dimmable	Yes
Dimming type	0/1-10V or PUSH

TECHNICAL DRAWINGS

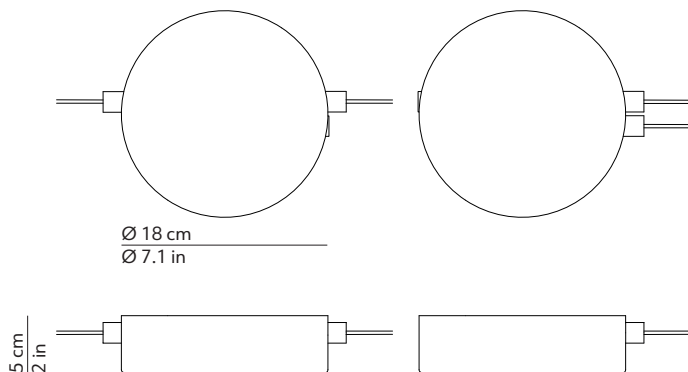
Lamp



Cable holder



Driver kit



PRODUCT INFORMATION

Installation Suspension

Lamp
 Net weight 0.45 kg / 0.99 lbs
 Colour Black RAL9005
 Finish Matte
 Material Die-casted varnished aluminium structure and opal polycarbonate diffuser
 Accessories included 1 cable holder

Driver kit
 Net weight 0.7 kg / 1.54 lbs
 Colour Black RAL9005
 Finish Matte
 Material Varnished metal
 Accessories included 4 cable holders

Cable
 Type Single core
 Length 4 m / 13.1 ft for each lamp
 10 m / 32.8 ft for each driver kit
 Colour Black
 Finish Matte
 Material PVC

SYSTEM CAPABILITY

Spot quantity	Forward voltage	Current	MAX cable length
2	11.5 V	900 mA	100 m / 328.1 ft
3	17.1 V	900 mA	100 m / 328.1 ft
4	22.8 V	900 mA	100 m / 328.1 ft
5	25.8 V	900 mA	100 m / 328.1 ft
6	34.2 V	900 mA	80 m / 262.5 ft
7	39.9 V	900 mA	65 m / 213.3 ft
8	45.6 V	900 mA	55 m / 180.5 ft
9	51.3 V	900 mA	46 m / 151 ft

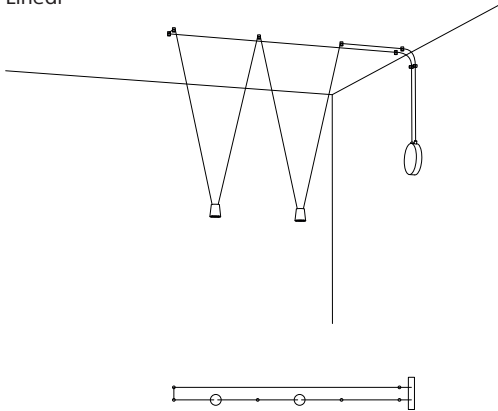
PACKAGING

Box 1

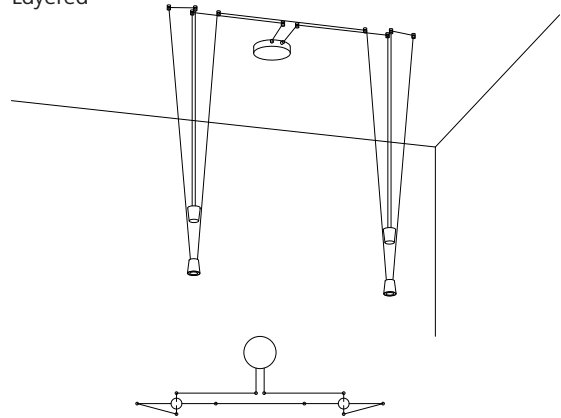
Dimensions L x W x H	28x21x32 cm / 11 x 8.3 x 12.6 in
Volume	0.019 m ³ / 0.664 ft ³
Gross weight	from 0.94 to 5.82 kg / from 2.2 to 13.2 lbs

INSTALLATION OPTIONS

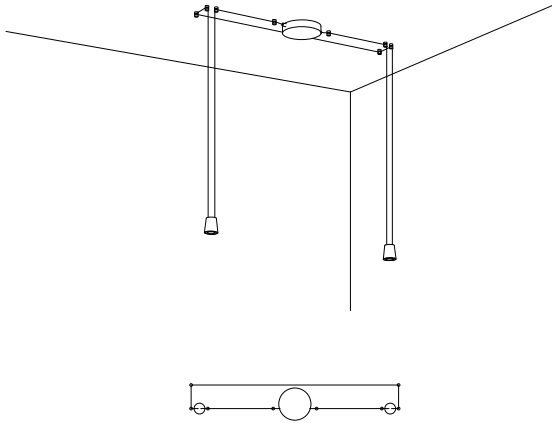
Linear



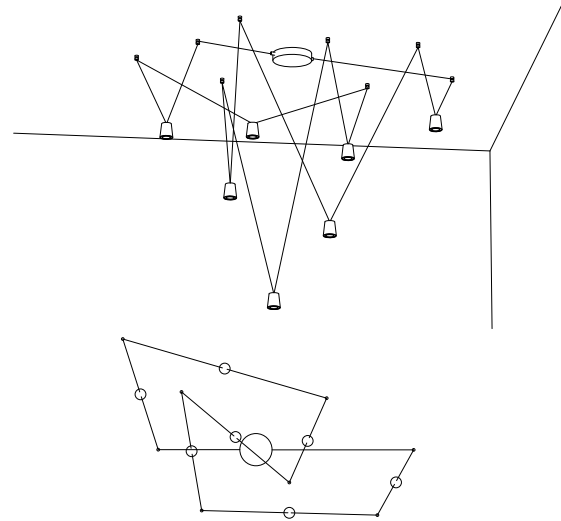
Layered



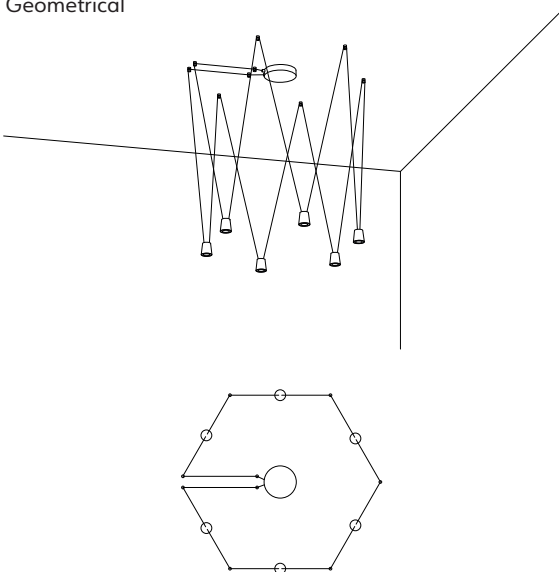
Spot



Random



Geometrical



Chandelier

